

# SPB INDUSTRIAL CO.,LIMITED

Web: <http://www.spboiles.com>

Email: [zhou@spboiles.com](mailto:zhou@spboiles.com)

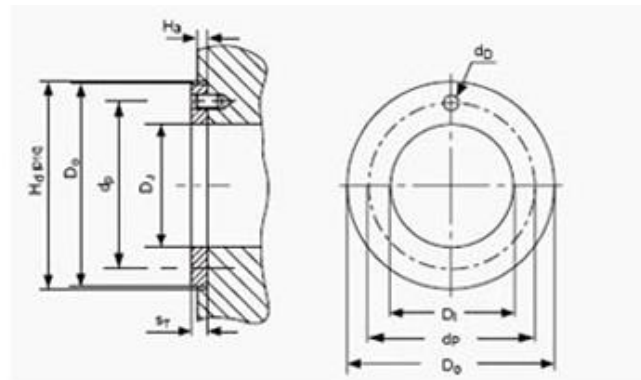
## PE-W(WC DU) Thrust Washers Catalog

- STRUCTURE

Metal-Polymer Composite Bushing Material

- CHARACTERISTICS

1. DU self-lubricating bushings offer very good wear and low friction performance over a wide range of loads, speeds and temperatures in dry running conditions
2. Suitable for lubricated applications
3. Suitable for linear, oscillating and rotating movements



### Metric Sizes:

Part No.	Di (mm)	Do (mm)	ST (mm)	dD (mm)	dP (mm)	Ha max. (mm)	Ha min. (mm)
WC08DU	10	20	1.5			1.2	0.95
WC10DU	12	24	1.5	1.75	18	1.2	0.95
WC12DU	14	26	1.5	2.25	20	1.2	0.95
WC14DU	16	30	1.5	2.25	22	1.2	0.95
WC16DU	18	32	1.5	2.25	25	1.2	0.95
WC18DU	20	36	1.5	3.25	28	1.2	0.95
WC20DU	22	38	1.5	3.25	30	1.2	0.95
WC22DU	24	42	1.5	3.25	33	1.2	0.95
WC24DU	26	44	1.5	3.25	35	1.2	0.95
WC25DU	28	48	1.5	4.25	38	1.2	0.95
WC30DU	32	54	1.5	4.25	43	1.2	0.95
WC35DU	38	62	1.5	4.25	50	1.2	0.95
WC40DU	42	66	1.5	4.25	54	1.2	0.95
WC45DU	48	74	2	4.25	61	1.7	1.45
WC50DU	52	78	2	4.25	65	1.7	1.45
WC60DU	62	90	2	4.25	76	1.7	1.45

# SPB INDUSTRIAL CO.,LIMITED

Web: <http://www.spboiles.com>

Email: [zhou@spboiles.com](mailto:zhou@spboiles.com)

## Inch Size:

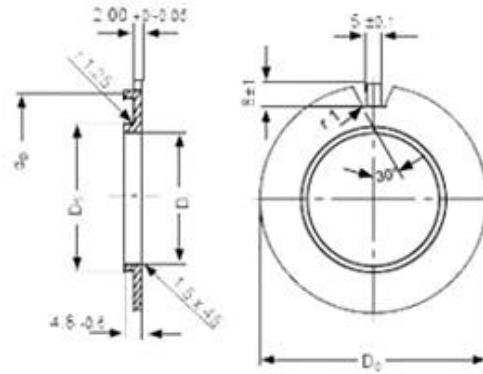
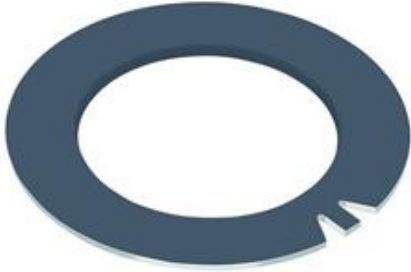
Part No.	Di (inch)	Do (inch)	ST (inch)	dD (inch)	dP (inch)	Ha max. (inch)	Ha min. (inch)
DU06	0.5	0.875	0.0605	0.072	0.687	0.05	0.04
DU07	0.562	1	0.0605	0.072	0.781	0.05	0.04
DU08	0.625	1.125	0.0605	0.104	0.875	0.05	0.04
DU09	0.687	1.187	0.0605	0.104	0.937	0.05	0.04
DU10	0.75	1.25	0.0605	0.104	1	0.05	0.04
DU11	0.812	1.375	0.0605	0.104	1.094	0.05	0.04
DU12	0.875	1.5	0.0605	0.135	1.187	0.05	0.04
DU14	1	1.75	0.0605	0.135	1.375	0.05	0.04
DU16	1.125	2	0.0605	0.166	1.562	0.05	0.04
DU18	1.25	2.125	0.0605	0.166	1.687	0.05	0.04
DU20	1.375	2.25	0.0605	0.166	1.812	0.05	0.04
DU22	1.5	2.5	0.0605	0.197	2	0.05	0.04
DU24	1.625	2.625	0.0605	0.197	2.125	0.05	0.04
DU26	1.75	2.75	0.0605	0.197	2.25	0.05	0.04
DU28	2	3	0.0915	0.197	2.5	0.08	0.07
DU30	2.125	3.125	0.0915	0.197	2.625	0.08	0.07
DU32	2.25	3.25	0.0915	0.197	2.75	0.08	0.07

# SPB INDUSTRIAL CO., LIMITED

Web: <http://www.spboiles.com>

Email: [zhou@spboiles.com](mailto:zhou@spboiles.com)

## PE-BS(BS DU) Flanged Thrust Washers



Part No.	Di (mm)	Do (mm)	Dfl (mm)	dP (mm)
BS40DU	40.45	75	44	64.75
BS50DU	51.25	85	55	74.75
BS60DU	61.25	95	65	84.75
BS70DU	71.25	110	75	99.75
BS80DU	81.25	120	85	109.75
BS90DU	91.25	130	95	119.75
BS100DU	101.25	140	105	129.75